

UNIT OF REMOTE CONTROL BY STARTER (RTCS)

We are offering two modification of unit RTCS unit of:

- RTCS-01, is intended for start and control of main aggregates (motors, etc) and test of voltage occurrence on single-phase and three-phase current mains with 380V by the given DTMF code;
- RTCS-02, is intended for DTMF control command transmission to RTCS-01 unit and reception from its information about unit situation.

RTCS-01 and RTCS-02 units give the opportunity to build remote control systems with large number of various electric machines and carry out control of units' situation on various areas.

Each of RTCS-01 and RTCS-02 unit operates in a complex with radio station. The radio station can be any type with the opportunity to voice frequency transmission.

Simultaneously in one network can be functioned up to 9999 units of RTCS-01unit, every of which has your unique four-figure number.

The RS232 input, gives the opportunity to RTCS-01 and RTCS-02 units add various peripheral devices, including various types of data transmission modems.

The possible circuits of connection of RTCS-01 unit are given on fig.1.

- connection at three-phase current
- connection at single-phase connection

The command of switch ON/OFF of electric machine starter is transferred by the control terminal of RTCS-02 to RTCS-01 unit or the information of the starter state and voltage occurrence in a mains of the electric machine is requested.

If for any reason there is a failure of voltage in a main, the RTCS-01 unit under the initiative transfers the matching information on the terminal(s) of RTCS-02 unit.

The control commands of RTCS-02 unit are set:

- by the computer connected to USB input (fig.2);
- at off-line mode by unit keyboard (fig.3).

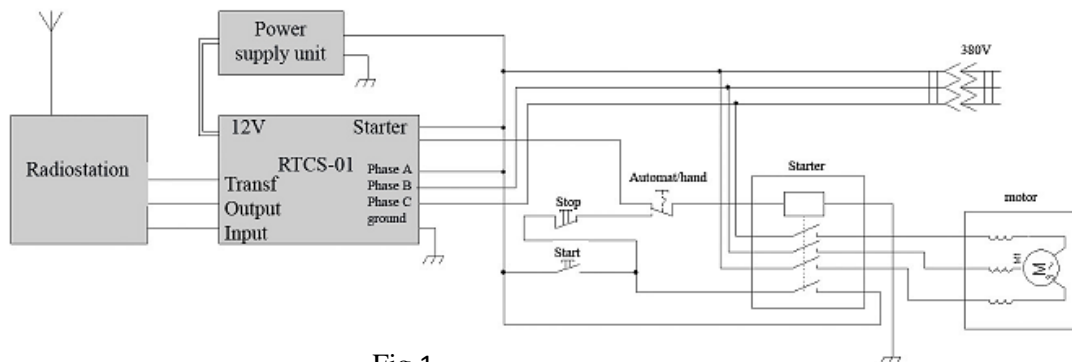


Fig.1.

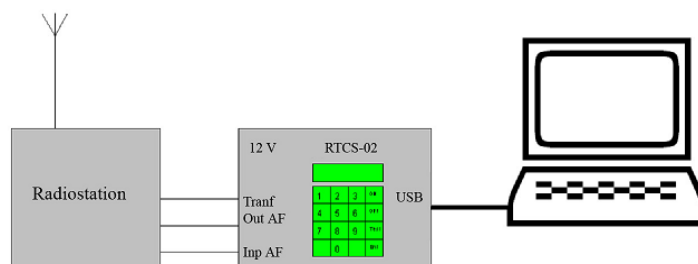


Fig. 2

In this case supply of RTCS-02 unit is carried out from computer port. Management and control of units RTCS-01 is provided by the special program delivered in set with RTCS-02.

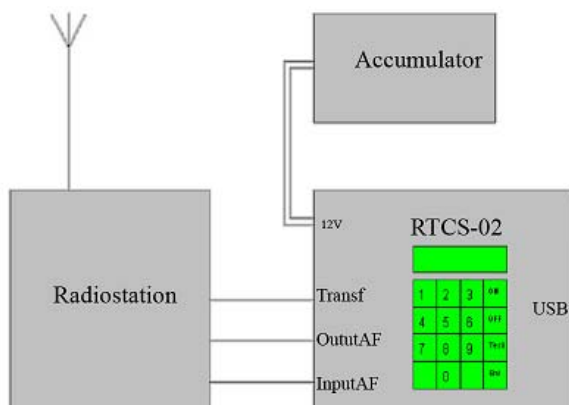


Fig.3.

Here management of RTCS-01 unit is carried out by the keyboard, and the system condition is displayed on the LCD.

Specification

Supply voltage	12V
Commutation voltage, no more than	250V
Max. commutation current, no more than	3A
Operation temperature range	Minus40 ⁰ C...+70 ⁰ C